



**HW-N4X1PB**

**Construction**

- Hot compression molded fiberglass reinforced thermoset polyester
- Poured polyurethane seamless gasket provides watertight, dust-tight environmental seal
- Recessed captive stainless steel screws
- 300 Series stainless steel used on all external hardware
- Workable material cuts, drills, punches and saws with ease and accuracy
- **Optional** mounting foot kit available
- Rounded edges, minimal protrusions or exposed pocket area for accumulation of dust or debris
- Metal grounding strap
- Submersible, non-corrosive environmental design
- Lift off cover with four cover screws
- Non-conductive, impact resistant, UV resistant

- Smooth surface, no color variations, swirls or color pockets, no voids
- Color: Gray

**Listings**

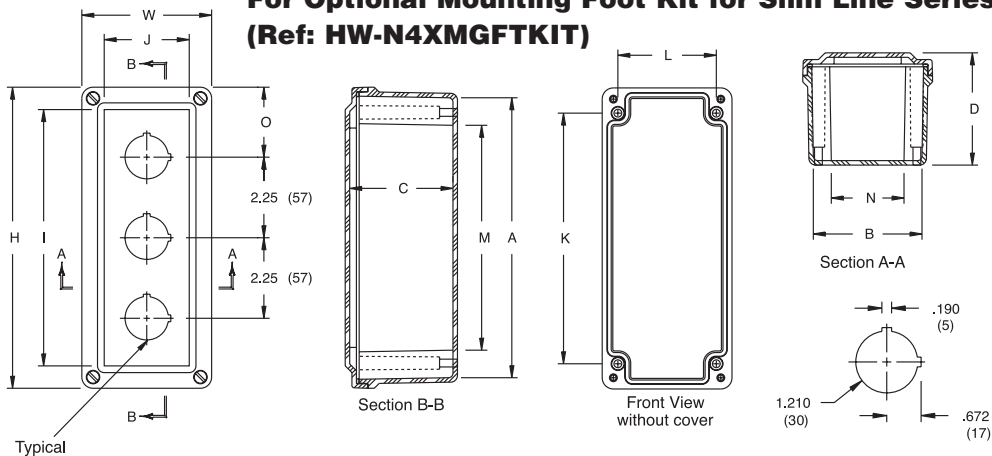
- UL/cUL 50/508, Types 1, 3, 4X, 6P, 12
- UL File E64791
- CSA Standard C22.2 File 222873 Types 1, 3, 4x, 6P, 12
- NEMA Standard 250 Types 1, 3, 4x, 6P, 12
- Temperature Range: -40°F to 250°F (-40°C to 120°C)
- Flammability Rating: UL94-5V
- Non-flame propagating



| 30mm Pushbutton In-Line Series with Lift-off Cover |            |                                     |                                   |            |          |             |           |             |           |           |        |
|----------------------------------------------------|------------|-------------------------------------|-----------------------------------|------------|----------|-------------|-----------|-------------|-----------|-----------|--------|
| Part Number                                        | PB Cutouts | Enclosure Overall Size HxWxD        | Enclosure Inside Dimensions AxBxC | I          | J        | K           | L         | M           | N         | O         | Wt.    |
| HW-N4X1PB                                          | 1          | 6.63 x 3.81 x 3.89 (168 x 97 x 99)  | 6.00x3.19x3.63 (153x81x92)        | 5.31 (135) | 2.5 (64) | 4.88 (124)  | 2.94 (75) | 4.13 (105)  | 2.19 (56) | 3.31 (84) | 2 lbs. |
| HW-N4X2PB                                          | 2          | 6.63 x 3.81 x 3.89 (168 x 97 x 99)  | 6.00x3.19x3.63 (153x81x92)        | 5.31 (135) | 2.5 (64) | 4.88 (124)  | 2.94 (75) | 4.13 (105)  | 2.19 (56) | 2.19 (56) | 2 lbs. |
| HW-N4X3PB                                          | 3          | 8.88 x 3.81 x 3.89 (225 x 97 x 99)  | 8.26x3.19x3.63 (210x81x92)        | 7.56 (192) | 2.5 (64) | 7.13 (181)  | 2.94 (75) | 6.38 (162)  | 2.19 (56) | 2.19 (56) | 2 lbs. |
| HW-N4X4PB                                          | 4          | 11.13 x 3.81 x 3.89 (283 x 97 x 99) | 10.51x3.19x3.63(267x81x92)        | 9.81 (249) | 2.5 (64) | 9.37 (238)  | 2.94 (75) | 8.63 (219)  | 2.19 (56) | 2.19 (56) | 2 lbs. |
| HW-N4X5PB                                          | 5          | 13.78 x 3.63 x 3.14 (350 x 92 x 80) | 13.19x3.03x2.87(335x77x73)        | 12.53(318) | 2.38(60) | 12.37 (314) | 2.75 (70) | 11.66 (296) | 2.03 (52) | 2.39 (61) | 2 lbs. |
| HW-N4X6PB                                          | 6          | 17.35 x 3.63 x 3.14 (441 x 92 x 80) | 16.75x3.03x2.87(426x77x73)        | 16.1 (409) | 2.38(60) | 15.94 (405) | 2.75 (70) | 15.22 (387) | 2.03 (52) | 3.05 (77) | 3 lbs. |
| HW-N4X7PB                                          | 7          | 17.35 x 3.63 x 3.14 (441 x 92 x 80) | 16.75x3.03x2.87(426x77x73)        | 16.1 (409) | 2.38(60) | 15.94 (405) | 2.75 (70) | 15.22 (387) | 2.03 (52) | 1.92 (49) | 3 lbs. |

Note: Dimensions in inches (millimeters); letters in table correspond to letters on dimensional drawings.

**For Optional Mounting Foot Kit for Slim Line Series see page 29. (Ref: HW-N4XMGFTKIT)**





**HW-N4X4PB-SS**

**Construction**

- Hot compression molded fiberglass reinforced thermoset polyester
- Poured polyurethane seamless gasket provides watertight, dust-tight environmental seal
- Recessed captive stainless steel screws
- 300 Series stainless steel used on all external hardware
- Workable material cuts, drills, punches and saws with ease and accuracy
- **Optional** mounting foot kit available
- Rounded edges, minimal protrusions or exposed pocket area for accumulation of dust or debris
- Metal grounding strap
- Submersible, non-corrosive environmental design
- Lift off cover with four cover screws
- Non-conductive, impact resistant, UV resistant

- Smooth surface, no color variations, swirls or color pockets, no voids
- Color: Gray

**Listings**

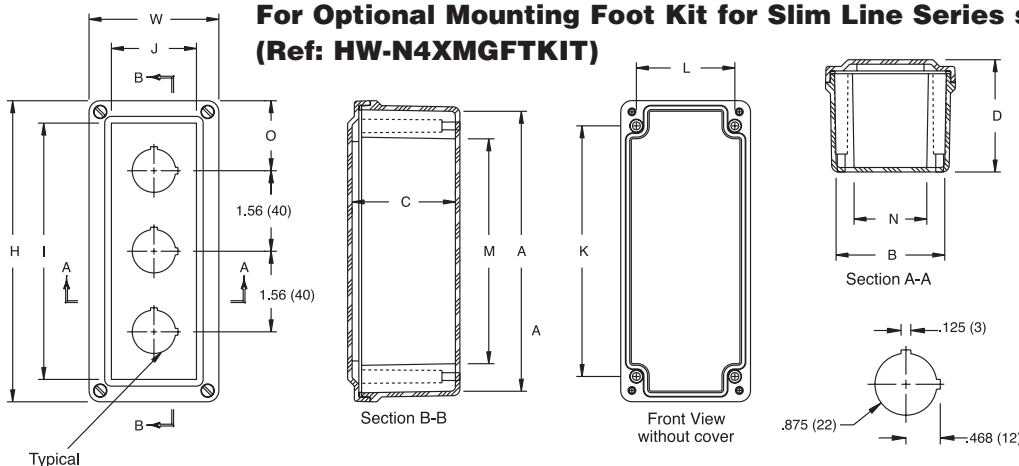
- UL/cUL 50/508, Types 1, 3, 4X, 6P, 12
- UL File E64791
- CSA Standard C22.2 File 222873 Types 1, 3, 4x, 6P, 12
- NEMA Standard 250 Types 1, 3, 4x, 6P, 12
- Temperature Range: -40°F to 250°F (-40°C to 120°C)
- Flammability Rating: UL94-5V
- Non-flame propagating



| 22mm Pushbutton In-Line Series with Lift-off Cover |            |                                     |                                   |             |          |            |           |            |           |           |        |
|----------------------------------------------------|------------|-------------------------------------|-----------------------------------|-------------|----------|------------|-----------|------------|-----------|-----------|--------|
| Part Number                                        | PB Cutouts | Enclosure Overall Size HxWxD        | Enclosure Inside Dimensions AxBxC | I           | J        | K          | L         | M          | N         | O         | Wt.    |
| HW-N4X1PB-22                                       | 1          | 6.63 x 3.81 x 3.89 (168 x 97 x 99)  | 6.00x3.19x3.63 (153x81x92)        | 5.31 (135)  | 2.5 (64) | 4.88 (124) | 2.94 (75) | 4.13 (105) | 2.19 (56) | 3.31 (84) | 2 lbs. |
| HW-N4X2PB-22                                       | 2          | 6.63 x 3.81 x 3.89 (168 x 97 x 99)  | 6.00x3.19x3.63 (153x81x92)        | 5.31 (135)  | 2.5 (64) | 4.88 (124) | 2.94 (75) | 4.13 (105) | 2.19 (56) | 2.53 (64) | 2 lbs. |
| HW-N4X3PB-22                                       | 3          | 6.63 x 3.81 x 3.89 (168 x 97 x 99)  | 6.00x3.19x3.63 (153x81x92)        | 5.31 (135)  | 2.5 (64) | 4.88 (124) | 2.94 (75) | 4.13 (105) | 2.19 (56) | 1.75 (44) | 2 lbs. |
| HW-N4X4PB-22                                       | 4          | 8.88 x 3.81 x 3.89 (225 x 97 x 99)  | 8.26x3.19x3.63 (210x81x92)        | 7.56 (192)  | 2.5 (64) | 7.13 (181) | 2.94 (75) | 6.38 (162) | 2.19 (56) | 2.09 (53) | 2 lbs. |
| HW-N4X5PB-22                                       | 5          | 11.13 x 3.81 x 3.89 (283 x 97 x 99) | 10.51x3.19x3.63 (267x81x92)       | 9.81 (249)  | 2.5 (64) | 9.37 (238) | 2.94 (75) | 8.63 (219) | 2.19 (56) | 2.44 (62) | 2 lbs. |
| HW-N4X6PB-22                                       | 6          | 11.13 x 3.81 x 3.89 (283 x 97 x 99) | 10.51x3.19x3.63 (267x81x92)       | 9.81 (249)  | 2.5 (64) | 9.37 (238) | 2.94 (75) | 8.63 (219) | 2.19 (56) | 1.66 (42) | 3 lbs. |
| HW-N4X7PB-22                                       | 7          | 13.78 x 3.63 x 3.14 (350 x 92 x 80) | 13.19x3.03x2.87 (335x77x73)       | 12.53 (318) | 2.38(60) | 12.37(314) | 2.75 (70) | 11.66(296) | 2.03 (52) | 2.20 (56) | 3 lbs. |

**Note:** Dimensions in inches (millimeters); letters in table correspond to letters on dimensional drawings.

**For Optional Mounting Foot Kit for Slim Line Series see page 29. (Ref: HW-N4XMGFTKIT)**



**WIEGMANN®**